

# Honeywell Vista 15P/ 20P

## Wiring M2M's MiNi/MQ Series Cellular Communicators and Programming the Panel

**CAUTION:**

- It is advised that an experienced alarm installer programs the panel as further programming may be required to ensure proper performance and use of the full functionality.
- Do not route any wiring over circuit board.
- Full panel testing, and signal confirmation, must be completed by the installer.

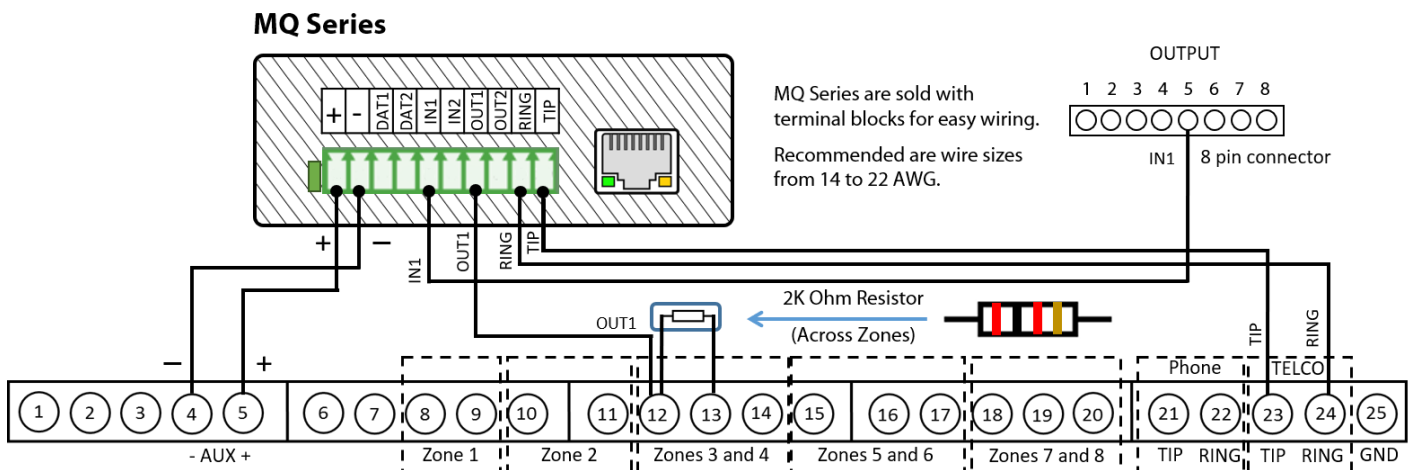
**NEW FEATURE:** For MiNi/MQ Series Communicators, the status of the panel can be retrieved not only from the status PGM but now also from the Open/Close reports from the dialer. Therefore, wiring the white wire and programming of the status PGM of the panel is optional.

Wiring the white wire is necessary only if the Open/Close reporting is disabled.

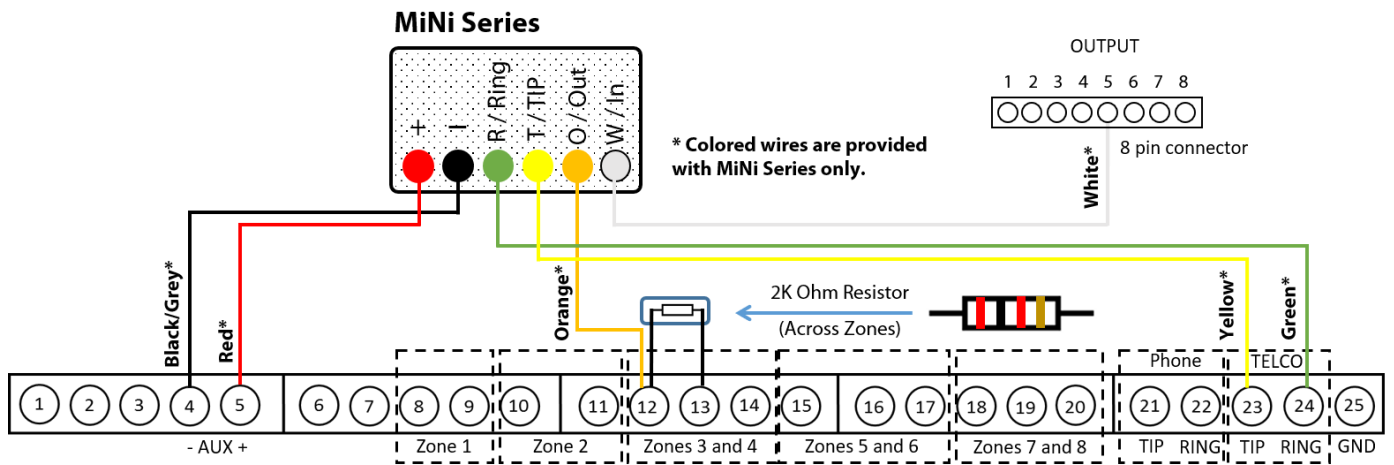
**IMPORTANT NOTE:** The Open/Close reporting needs to be enabled during the initial pairing procedure.

**NOTE:** We recommend connecting the Output (Orange wire of the MiNi Series) to Zone 3 (terminal 12), because the first two zones maintain constant voltage level of +12V, which may damage the output of the MiNi Series communicators.

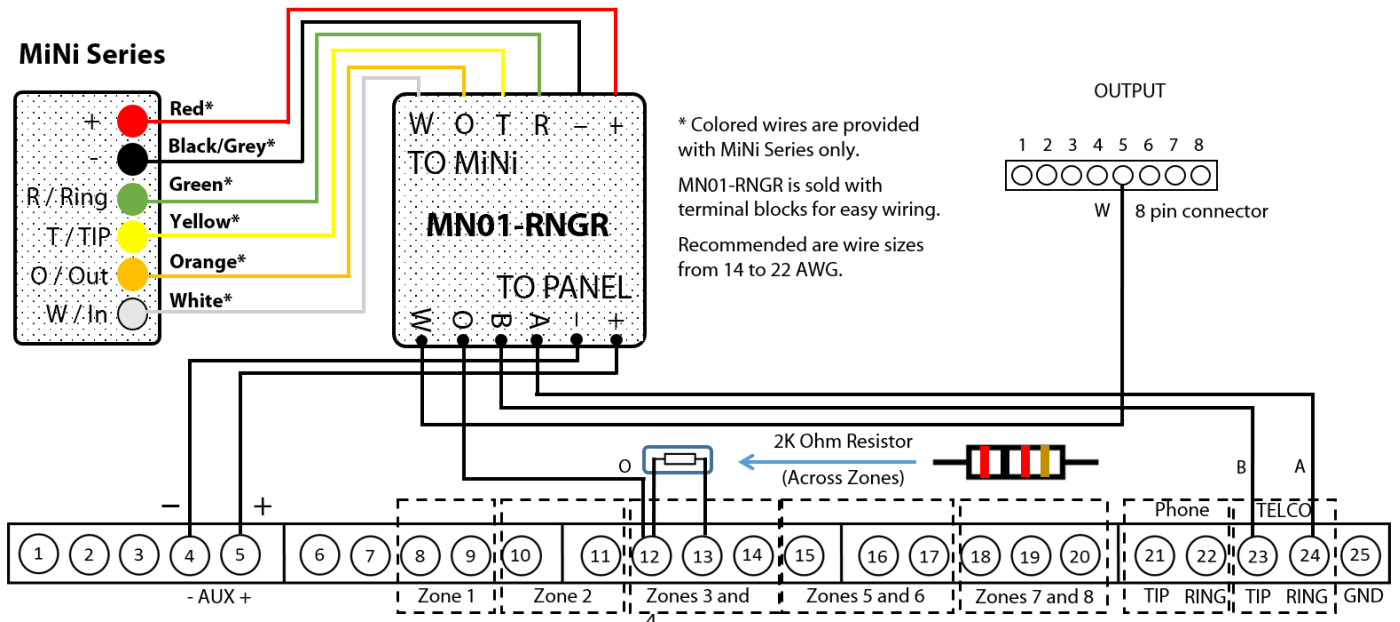
### Wiring the MQ Series communicators to Honeywell Vista 15P/ 20P



## Wiring the MiNi Series communicators to Honeywell Vista 15P/ 20P



## Wiring the MiNi Series with Ringer MN01-RNGR to Honeywell Vista 15P/ 20P for UDL



## Programming the Honeywell Vista 15P/ 20P Alarm Panel via the Keypad

Enable Contact ID reporting:

Keypad Display	Keypad Entry	Action Description
Disarmed	4112,8,00	To enter the programming menu
Installer code 20	*41	To go to primary phone setting
Pri. Phone	123456*	Enter phone number (123456 is an example) * to save
Sec. Phone	*43	To go to primary account number
SubID. Pri.	1234*	Enter account number (1234 is an example) * to save
SubID. Sec.	*47	To go to phone system menu
Phone Sys.	1	Press 1 to select tone dialing
Rep Form Pri/Sec	*48	To choose Report Format
Rep Form Pri/Sec	77	To select Ademco Contact ID reporting
Split / Dual	*65	To go to Open Report code
Open Rpt.	1	To enable Open report code
Awy/Sty Rpt.	*66	To Arm Away/Stay Rpt Code
Awy/Sty Rpt.	11	To enable Away/Stay ARM reporting code
RF LB Rpt.	*70	To go to Alarm/Restore reporting code
Alm Res Rpt	1	To enable alarm/Restore reporting code
Trb Res Rpt	*84	To set Auto-Stay Arm
Trb Res Rpt	0	Disable Auto-Stay Arm for Partition 1
Trb Res Rpt	*99	To exit and save

Program keyswitch zone and status output:

Keypad Display	Keypad Entry	Action Description
Disarmed	4112,8,00	To enter the programming menu
Installer code	*56	To go to zone programming menu
Set to confirm	1	To enter the menu
Enter Zn. Num.	03*	To enter zone 3 programming
Zn ZT PRC HW:RT	*	To enter the first parameter input section
03 Zone Type	77*	To select keyswitch
03 Report Code	0000*	To disable reporting code for zone activation
03 Resp. Time	1*	To set response time to 1 second
Zn ZT PRC HW:RT	*	To confirm settings and go to next menu
Program Alpha?	0	To go to next menu
Enter Zn. Num.	00	To quit
Enter * or #	*80	To go to output programming menu
Output Funct. #	01*	To set Output 1
01 AEP Trig	*	To go to next menu
01 Activated by	2*	To select Activate by Zone Type
01 Enter Zone Type	78*	To choose Keyswitch RED (Armed)
Enter Output No.	18*	To select output 18 (pin 5 on the 8 pin connector as shown on the 1 <sup>st</sup> page)
01 AEP Trig	*	To save settings
Output Funct. #	00	To quit
Enter * or #	*99	To save and quit

## Programming the Honeywell Vista 15P/ 20P Alarm Panel via the Keypad for remote Upload/Download (UDL)

Program the Panel for Upload/Download (UDL):

Display	Keypad Entry	Action Description
Disarmed	4112,8,00	To enter the programming menu
Installer code	*95, 1	To set "Number of rings to answer" to 1
Pager 1 Phn No.	*99	To save and quit

**NOTE:** If the software says that the CSID doesn't match, \*96 while in programming mode initializes CSID and account number (assigns them their default values).