

# DSC PC585

## Wiring M2M's MiNi/MQ Series Cellular Communicators and Programming the Panel

**CAUTION:**

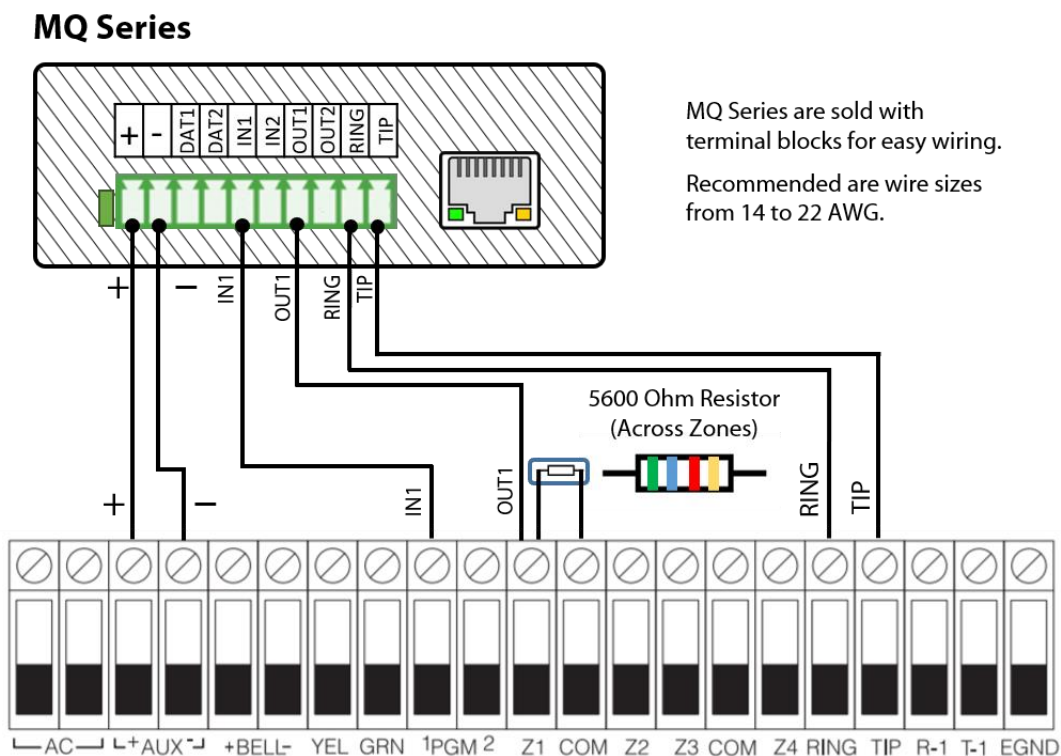
- It is advised that an experienced alarm installer programs the panel as further programming may be required to ensure proper performance and use of the full functionality.
- Do not route any wiring over circuit board.
- Full panel testing, and signal confirmation, must be completed by the installer.

**NEW FEATURE:** For MiNi/MQ Series Communicators, the status of the panel can be retrieved not only from the status PGM but now also from the Open/Close reports from the dialer. Therefore, wiring the white wire and programming of the status PGM of the panel is optional.

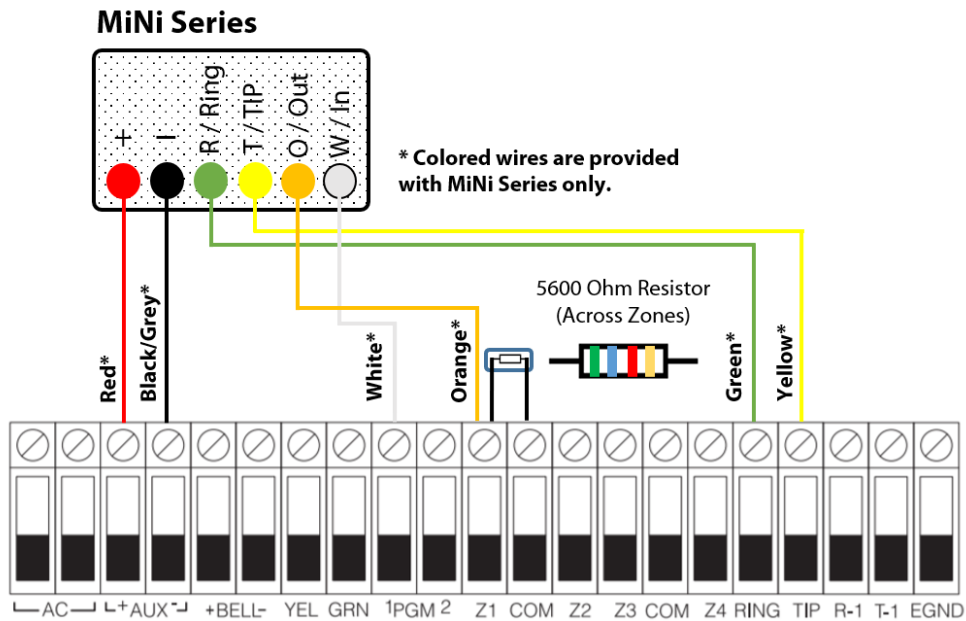
Wiring the white wire is necessary only if the Open/Close reporting is disabled.

**IMPORTANT NOTE:** The Open/Close reporting needs to be enabled during the initial pairing procedure.

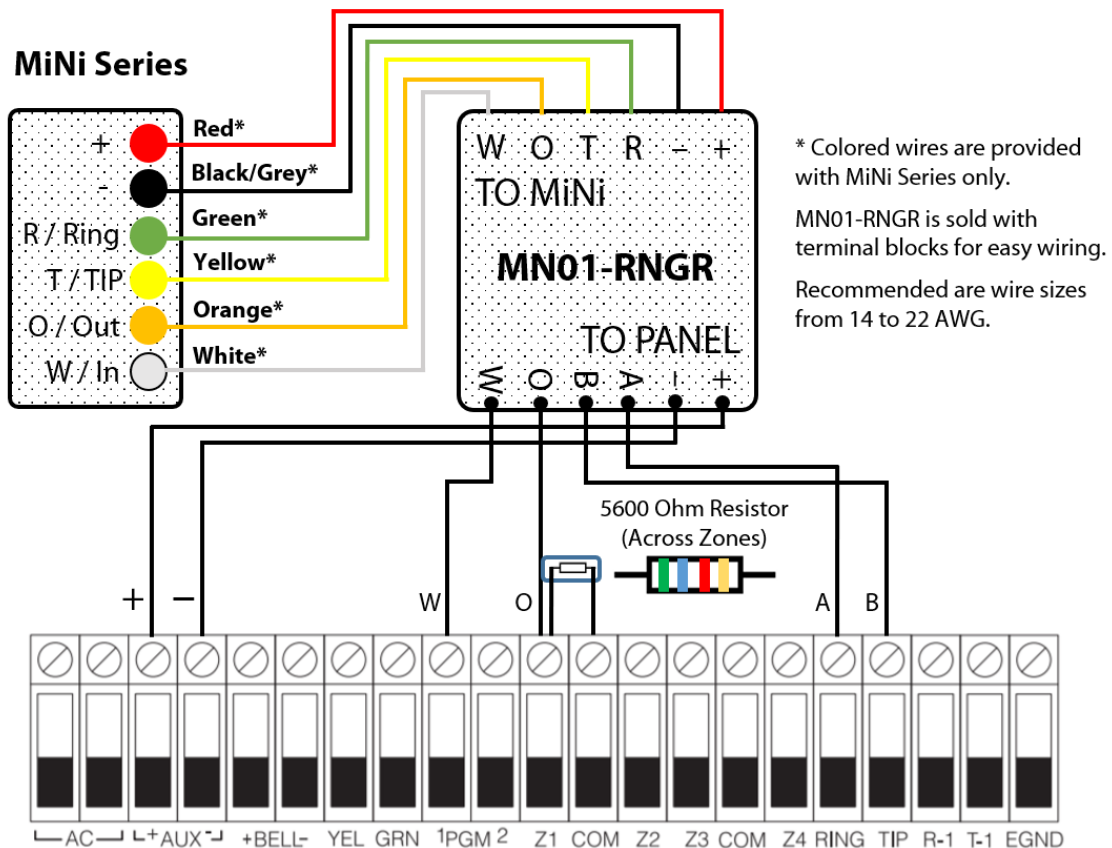
### Wiring the MQ Series communicators to DSC PC585



### Wiring the MiNi Series communicators to DSC PC585



### Wiring the MiNi Series with Ringer MN01-RNGR to DSC PC585 for UDL



## Programming the DSC PC585 Alarm Panel via the Keypad

Enable Contact ID reporting:

| LED indication on keypad                   | Keypad Entry | Action Description  |
|--|--------------|---|
| Armed: Steady red<br>System: Blinks orange | *85555       | To enter in Programming mode.   |
|  | 015          | To enter "Third System Option Code" menu.   |
| Toggle LEDs (7 is dim)                     | 7#           | Option 7 must be OFF – TLM disabled (LED 7 dim).  |
|  | 301          | To enter "Change phone number menu" for 1 <sup>st</sup> number (302 or 303 for 2 <sup>nd</sup> or 3 <sup>rd</sup> )   |
|  | 123456*6*#   | Enter actual or non-existing number (any number will do, 123456 is an example) followed by *6* (F in hex).  |
|  | 310          | To enter "Change account number menu"   |
|  | 1111         | Enter 4-digit account number to receive the events from (1111 is an example). If you want to enter partition 2 account number – type 311 followed by 1112# (whatever number you want to see) otherwise leave empty. |
|  | 360          | Program Alarm Format.   |
|  | 0303         | Press 03 for Contact ID for both partitions.  |
|  | 361          | To enter "Alarm/Restore Communicator Call Directions".  |
| Toggle LEDs (1 is lit)                     | 01#          | 01 to enable 1 <sup>st</sup> telephone number (1 <sup>st</sup> LED must be lit).  |
|  | 367          | To select partition 1.  |
| Toggle LEDs (1 is lit)                     | 1#           | 1 must be ON – report Open/Close to phone 1.  |
|  | 380          | To enter first communicator options menu.   |
| Toggle LEDs (1-lit; 3,4 - dim)             | 1,3,4 #      | 1 must be ON – communicator enabled; 3 must be OFF – tone dialing; 4 must be OFF – DTMF dial all attempts.  |
|  | 381          | To enter second communicator options menu.  |
| Toggle LEDs (7 is dim)                     | 7#           | 7 must be disabled – "Contact ID uses Automatic Reporting codes".   |
|  | #            | Exit Programming mode.  |

Enable keyswitch arm/disarm and status output:

| LED indication on keypad                   | Keypad Entry | Action Description  |
|--|--------------|---|
| Armed: Steady red<br>System: Blinks orange | *85555       | To enter in Programming mode.   |
|  | 202          | To enter Partition zone assignments.  |
| Toggle LEDs (1 is lit, the rest - dim)     | 1#           | Turn ON (the corresponding LED will be lit) only the zones that you intend to use – the rest must be OFF (LEDs are dim) – in our case LEDs 2-7 will be OFF. |
|  | 001          | To configure Zone 1.  |
|  | 22#          | Enter 22 to program zone Type Keyswitch.  |
|  | 013          | To program EOL zones.   |
| Toggle LEDs (1 is dim)                     | 1#           | 1 must be OFF to set the zones to end-of-line wiring configuration.   |
|  | 009          | To program Output 1 (009 is for PGM1, 010 – PGM2... etc.)   |
|  | 05#          | Output will activate/deactivate upon arm/disarm for selected partitions.  |
| Ready: Steady green                        | #            | Exit Programming mode.  |

## Programming the DSC PC585 Alarm Panel via the Keypad for remote Upload/Download (UDL)

Program the Panel for Upload/Download (UDL):

| Display        | Keypad Entry    | Action Description  |
|----------------|-----------------|---|
| Date / Time    | *8 + Inst. Code | Enter programming menu. Default installer code is "5555"    |
| Enter section  | 401             | First downloading options toggle menu                       |
| Toggle option  | 1,3,6#          | 1 and 3 should be disabled. 6 should be enabled.            |
| Enter section  | 403             | DLS downloading access code. Default for PC585 is "058000". |
| Enter Hex Data | 058000#         | Set this field's value to its default.                      |
| Enter section  | 404             | Panel ID code. Default for PC585 is "058000".               |
| Enter Hex Data | 058000#         | Set this field's value to its default.                      |
| Enter section  | 405             | Double call timer address                                   |
| Enter Data     | 000             | Disable double call   |
| Enter section  | 406             | Number of rings address                                     |
| Enter Data     | 001             | Set the panel to answer on the first ring.                  |
|                | #               | Exit Programming mode.                                      |