

DSC 9045/ 9047

Wiring M2M's MiNi/MQ Series Cellular Communicators and Programming the Panel

CAUTION:

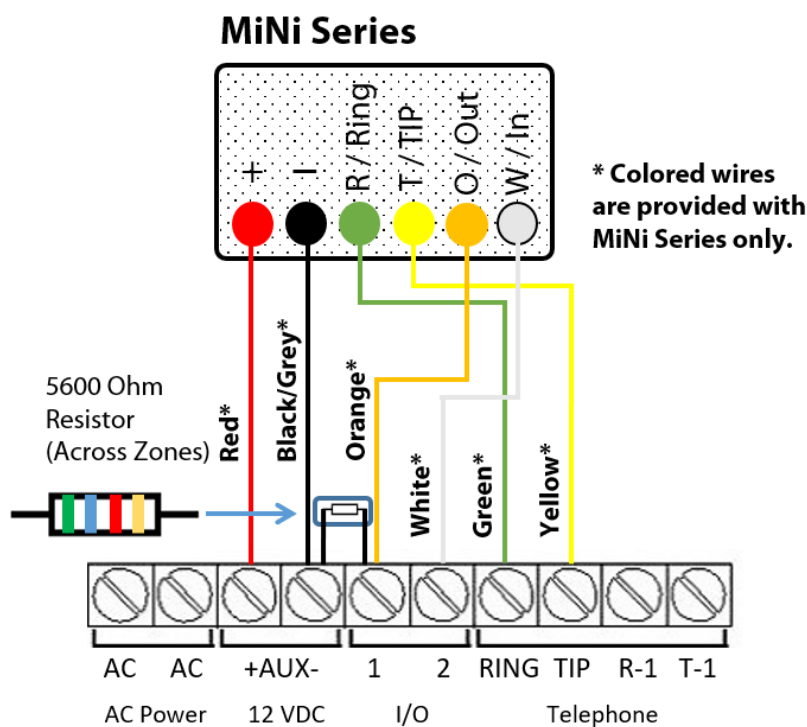
- It is advised that an experienced alarm installer programs the panel as further programming may be required to ensure proper performance and use of the full functionality.
- Do not route any wiring over circuit board.
- Full panel testing, and signal confirmation, must be completed by the installer.

NEW FEATURE: For MiNi/MQ Series Communicators, the status of the panel can be retrieved not only from the status PGM but now also from the Open/Close reports from the dialer. Therefore, wiring the white wire and programming of the status PGM of the panel is optional.

Wiring the white wire is necessary only if the Open/Close reporting is disabled.

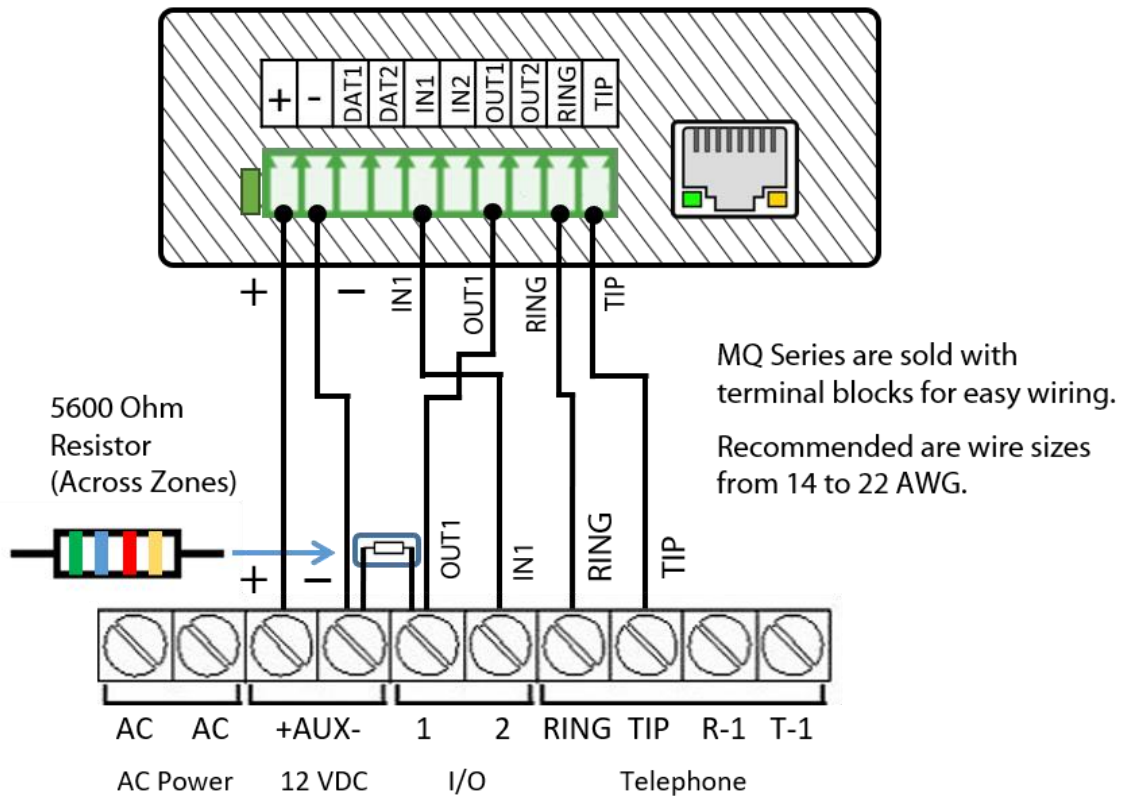
IMPORTANT NOTE: The Open/Close reporting needs to be enabled during the initial pairing procedure.

Wiring the MiNi Series communicators to DSC 9045/ 9047



Wiring the MQ Series communicators to DSC 9045/ 9047

MQ Series



Programming the DSC 9045/ 9047 Alarm Panel via the Keypad

Enable Contact ID reporting:

Keypad Display	Keypad Entry	Action Description
Enter Section:	*85555	To enter in Programming mode.
Enter Section:	015	To enter menu "Third System options".
Toggle Option:	7#	Option 7 must be off (TLM disabled).
Enter Section:	301	To enter menu" First phone number".
DFFFFFF	123456*6*#	Enter actual or non-existing number (any number will do, 123456 is example) finish with *6* - hex for F.
Enter Section:	310	To enter menu "System account code".
Enter data:	1234	Enter the 4-digit account number (1234# is an example).
Enter Section:	350	To enter "Communicator Alarm Format" options.
Enter Data:	0303	03 is for Contact ID (0303 is to set both 1 st and 2 nd phone lines).
Enter Section:	351	To program phone 1 communicator call direction.
Toggle Option:	1#	Toggle 1 to ON for alarms (it has to appear on screen).
Enter Section :	367	Open/Close Communicator Call directions.
Toggle Option:	1#	Toggle 1 to ON to enable Open/Close reports to phone 1.
Enter Section:	380	Enter First Communicator Options.
Toggle Option:	1#	Toggle 1 to ON, 3 to off to enable communications.
Enter Section:	381	Enter Second Communication Options.
Toggle Option:	7#	Toggle 7 to OFF, to enable automatic reporting. To manually program the reporting codes in the menu 381, enable option 7 to ON and then set the desired reporting codes in menus 320 to 348.
Toggle Option:	#	Exit Programming mode.

Program Keyswitch zone and output:

Keypad Display	Keypad Entry	Action Description
Enter Section:	*85555	To enter in Programming mode.
Enter Section	206	Enter Zone Assignment.
Toggle Option	1#	Toggle option 1 to ON to enable the Keyswitch zone.
Enter Section	013	Enter First System Options (to select I/O as Input or PGM).
Toggle Option	1#	When panel is defaulted press the toggle buttons until 1 is ON and 2 is OFF (terminals).
Enter Section	133	Enter I/O Programming for zone 33 (First 32 are wireless zones).
Toggle Option	9	Press 9 to move to option 9-16.
Toggle Option	7#	Make sure that option 15 is selected (shows as 7 on the second screen). This standard mode of operations REQUIRES a resistor across the STC.
Enter Section:	009	Enter I/O Programming.
Enter Data: XX	22	Enter 22 to program zone Type Keyswitch for I/O 1, XX is the previous value.
Enter Data: XX	05	Enter 05 to program Armed Status on I/O 2, XX is default value.
Toggle Option:	#	Exit Programming mode.