

# DMP XR20/XR40

## Wiring M2M's MiNi/MQ Series Cellular Communicators and Programming the Panel

**CAUTION:**

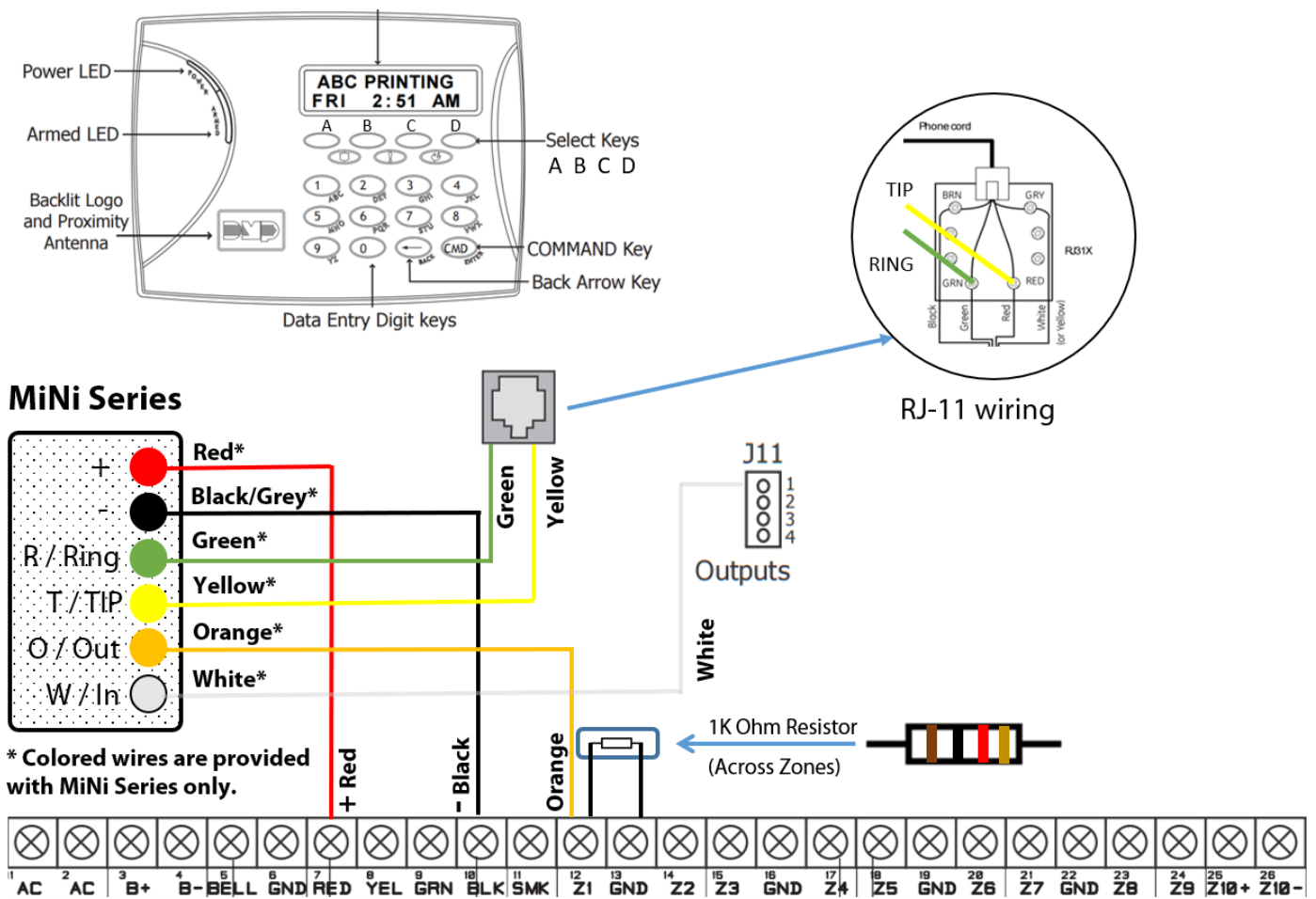
- It is advised that an experienced alarm installer programs the panel as further programming may be required to ensure proper performance and use of the full functionality.
- Do not route any wiring over circuit board.
- Full panel testing, and signal confirmation, must be completed by the installer.

**NEW FEATURE:** For MiNi/MQ Series Communicators, the status of the panel can be retrieved not only from the status PGM but now also from the Open/Close reports from the dialer. Therefore, wiring the white wire and programming of the status PGM of the panel is optional.

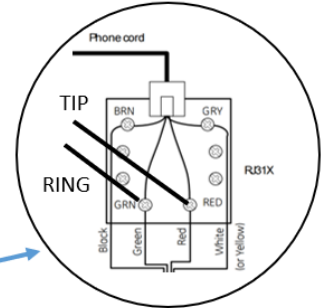
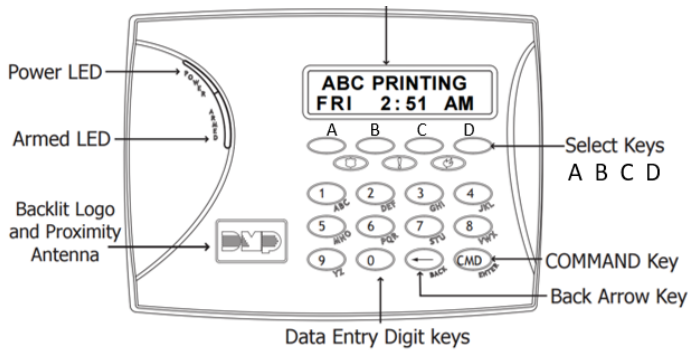
Wiring the white wire is necessary only if the Open/Close reporting is disabled.

**IMPORTANT NOTE:** The Open/Close reporting needs to be enabled during the initial pairing procedure.

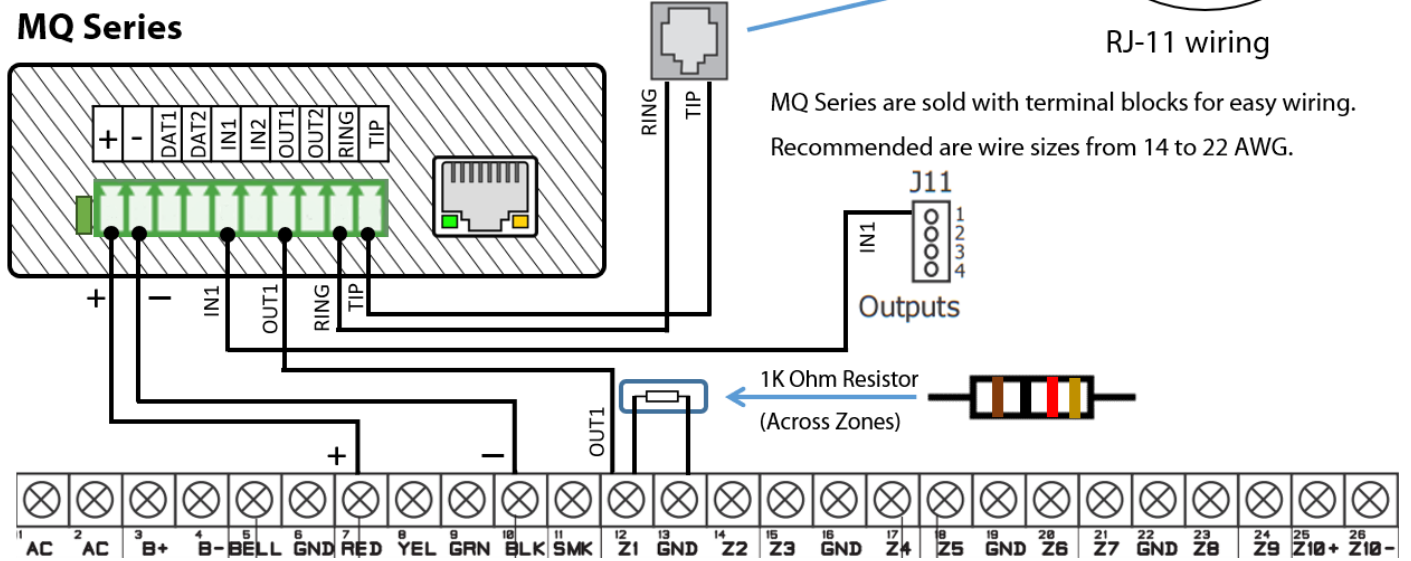
### Wiring the MiNi Series communicators to DMP XR20/XR40



## Wiring the MQ Series communicators to DMP XR20/XR40



RJ-11 wiring



## Programming the DMP XR20/XR40 Alarm Panel via the Keypad

Enable Contact ID reporting:

Keypad Display	Keypad Entry	Action Description
Date & Time	6653	To go to Programmer menu
Programmer	CMD, CMD, A	To go to Communication menu (A is the top left button as shown above)
Comm Type:	A, CMD, A	To select Contact ID
Account No	A, 1234, CMD	Enter desired account number (1234 is an example)
Backup Cell	CMD.....	Press CMD until you reach O/C user
O/C	D, CMD	To enable user Open/Close reporting, CMD to save
Communication	CMD.....	Press CMD until you reach First Phone Number
First Phone No.	CMD, 123456	Press CMD and input 1 <sup>st</sup> phone number (123456 is an example)
Communication	CMD.....	Press CMD until you reach System Reports
System Reports	A	To enter the System reports menu
O/C Reports	D, Back	To enable Open/Close system reporting
System Reports	CMD.....	Press CMD until you reach Output options
Output Options	A	To enter Output toggle submenu
CO outs:	1, CMD	To select Output 1, CMD to start editing settings
Cutoff time	CMD.....	Press CMD until you reach Armed
Armed OUT:	1, CMD	To choose output 1 to follow Armed Status
Output Options	CMD	Press CMD until you reach STOP
STOP	A	To exit programming mode

Program Keyswitch zone and output:

Keypad Display	Keypad Entry	Action Description
Date & Time	6653	To go to Programmer menu
Programmer	CMD.....	Press CMD until you reach Zone Information
Zone Information	A	To enter Zone Information menu
Zone No.	1, CMD	To select Zone 1
*Unused*	1, CMD	To activate Zone 1
Zone Information	A	To go to select Zone type menu (types are listed on the 2 <sup>nd</sup> row)
NT DY EX	CMD....	Press CMD until the second row shows: A1, A2, FV, AR
A1, A2, FV, AR	D	To select Zone Type => Keyswitch
Arm areas	A	To see options for areas the keyswitch will be arming
PERIM, ALL	D	To select ALL (as an example) – change this based on your installation
Style:	A, A	To select Toggle
Next Zone?	C, CMD, Back	To go back to the main menu
Zone info	CMD....	Press CMD until you reach STOP
STOP	A	Press A to exit programming mode